

### Product description

Designed to provide optimum high quality downlight, Black incorporates the unique ToD technology in its extreme compact structures to avoid any possible spill light for perfect light control. Multi-functional lighting solutions include fixed, adjustable and wallwasher, together with three dimming methods, all are suitable for new creative freedom in numerous indoor lighting applications.

### Product features

- High quality, extreme compact frame made of aluminium ensures excellent heat dissipation
- Light aperture:  $\Phi 50\text{mm}$
- Evenly illuminate the vertical surfaces
- High visual comfort
- High power LED
- Cutout: 54mm
- On-off/DALI/Wireless versions available
- DALI versions occupy 1 address  
Wireless versions occupy 1 address

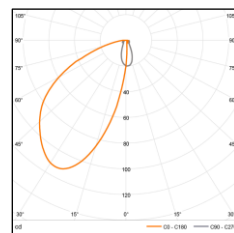
- Frame – matt white/matt black

### Technical data

Input	AC220V
Power consumption	8W
CRI	>90
CCT	4000K
Beam angle	Washlight
Chromaticity tolerance	<3 SDCM
Rated lifetime	50000H (Ta 25°C)
Dimming method	On-off or DALI/Wireless
Dimming range	On-off or 0-100%

### Luminous intensity distribution curve

LED 6W 513lm 4000K



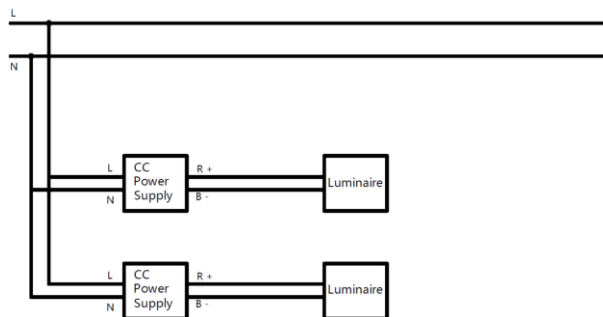
D: Distance from wall  
S: Central distance between luminaires  
E<sub>1</sub>: illuminance below the luminaire  
E<sub>2</sub>: illuminance between luminaires

D(m)	1.0	1.0		
S(m)	0.5	0.8		
H(m)	E <sub>1</sub> (lx)	E <sub>2</sub> (lx)	E <sub>1</sub> (lx)	E <sub>2</sub> (lx)
0.25	66	66	42	40
0.75	209	210	133	129
1.25	235	237	150	146
1.75	203	203	128	126
2.25	156	157	97	96
2.75	112	112	70	69

### Power Supply Info

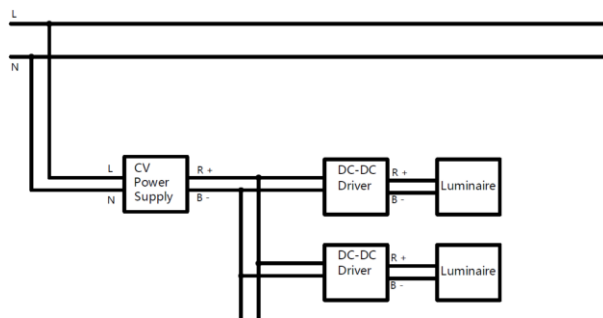
Type	Dimming	Art. No.	Input	Output	Power	Address	QTY
Constant Current Driver	On-off	M9102202.017	AC220V	500mA	8W	—	1
	DALI	M9102202.018	AC220V	500mA	8W	1	1
	Wireless	M9102202.019	AC220V	500mA	8W	1	1
Constant Voltage Power Supply	—	M9102103.001	AC220V	DC24V	Max.40W	—	Max.3
	—	M9102103.003	AC220V	DC24V	Max.60W	—	Max.5
	—	M9102103.005	AC220V	DC24V	Max.90W	—	Max.8
DC-DC Driver	On-off	M9102202.021	DC36V	500mA	—	—	1
	DALI	M9102202.022	DC36V	500mA	—	1	1
	Wireless	M9102202.023	DC36V	500mA	—	1	1

### CC(Constant Current Driver) wiring diagram



**DO NOT** inter-connect wires with different colors. Please consider the **TOTAL ADDRESSES** before wiring.

### CV(Constant Voltage Power Supply) wiring diagram



**DO NOT** inter-connect wires with different colors. Please consider the **TOTAL ADDRESSES** before wiring.

Wiring diagrams are examples of typical installations intended to illustrate the number of luminaires that must be connected. These diagrams are not intended to specify all equipment necessary for a given circuit.

Please confirm all details with LiteMatrix or suppliers before wiring so as to avoid any unnecessary damage.